



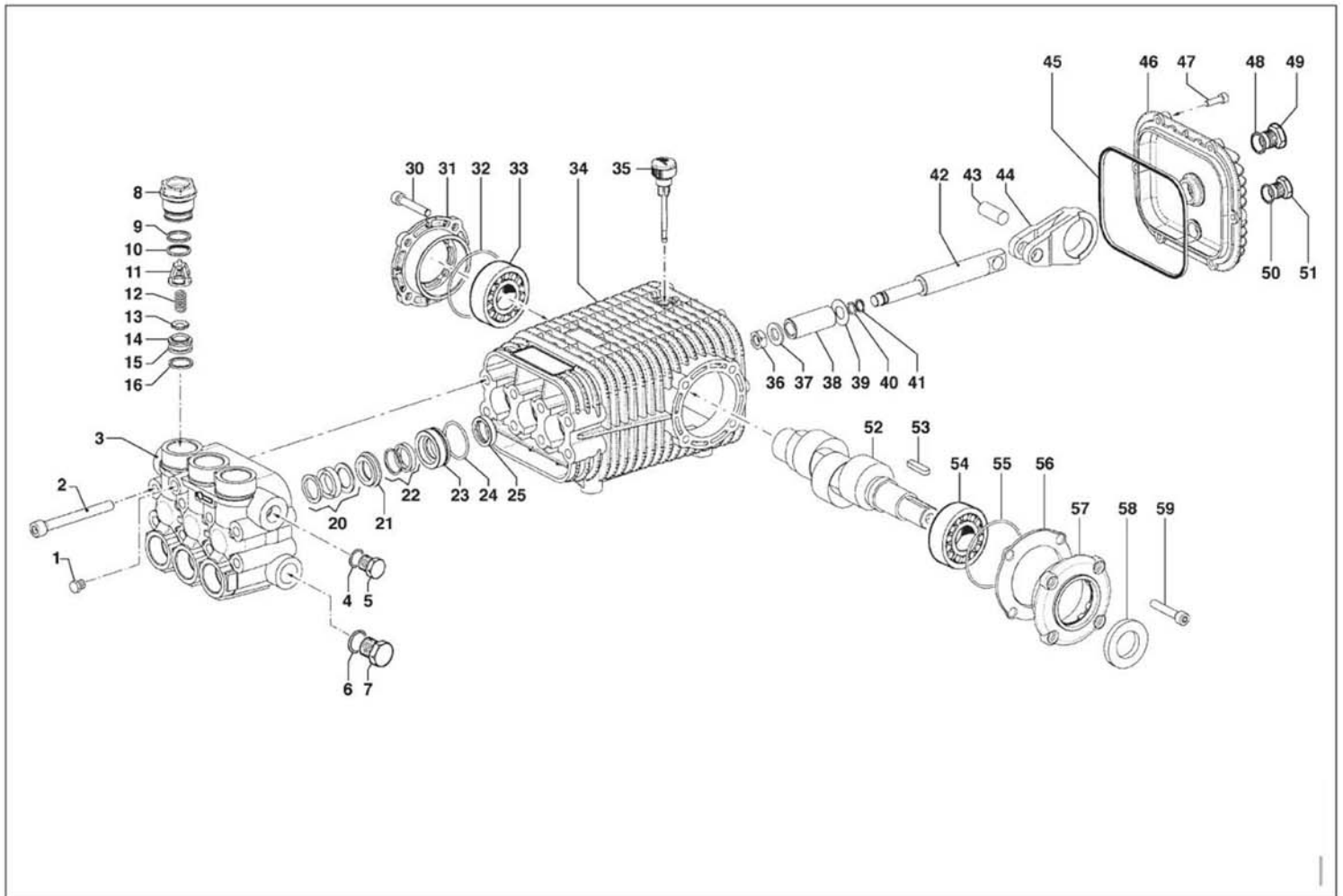
**XP Series**  
**3500 PSI @ 8.3 GPM**



## Comet Pump Details

**Back to Site**

Comet TWS-8035 S 24mm Solid Shaft 3500psi, 8.3gpm





# XP Series 3500 PSI @ 8.3 GPM



## Comet Pump Kits

**Back to Site**

### Comet TWS-8035 S 24mm Solid Shaft 3500psi, 8.3gpm

N°	Cod.	Kit	Description <sup>8030</sup>	Qty	Note
1	3202 0112		Plug	1	G1/4
2	3609 0179		Screw	8	M10x100
24	1210 0547	B-D	O-Ring	3	Ø2x37
25	0019 0116	D	Oil Seal	3	Ø22x32x7
30	3609 0157		Screw	4	M8x18
31	1009 0196		Flange	1	
32	1210 0448	D	O-Ring	1	Ø2,0x70
33	0440 0028		Roller Bearing	1	Ø30x62x25
34	0403 0155		Pump Crankcase	1	
35	3200 0075		Oil Dipstick	1	
43	3011 0026		Gudgeon Pin	3	Ø14x36
44	0205 0071		Connecting Rod	3	
45	1210 0369	D	O-Ring	1	Ø3,53x117,1
46	0402 0269		Cover	1	
47	3609 0032		Screw	6	M6x20
48	1210 0048	D	O-Ring	1	Ø2,62x20,24
49	3201 0019		Plug	1	G1/2
50	1210 0441	D	O-Ring	1	Ø2x14
51	3200 0007		Plug	1	3/8 GAS
53	1602 0055		Key	1	8x7x35
54	0440 0028		Roller Bearing	1	Ø30x62x25
55	1210 0448	D	O-Ring	1	Ø2,0x70
56	0601 0304		Spacer	1	sp. 0,05
	0601 0305		Spacer	1	sp. 0,1
	0601 0306		Spacer	1	sp. 0,19
	0601 0307		Spacer	1	sp. 0,25
57	1009 0195		Flange	1	
58	0019 0032	D	Oil Seal	1	Ø30x52x7
59	3609 0157		Screw	4	M8x18

N°	Cod.	Kit	Description	Qty	Note
3	3218 0346		Pump Manifold	1	
4	2811 0086		Washer	1	
5	3202 0015		Plug	1	1/2"
6	2811 0079		Washer	1	Ø27,7x32,5x1,5
7	3202 0115		Plug	1	3/4"
8	3202 0286		Suction/Delivery Valve Plug	6	
9	0009 0290	A-D	Anti-Extr. Ring	6	
10	1210 0048	A-D	O-Ring	6	Ø2,62x20,54
11	1205 0038	A	Suction/Delivery Valve Cage	6	
12	1802 0244	A	Suct./Delivery Valve Spring	6	
13	3604 0032	A	Suction/Delivery Valve	6	
14	3009 0145	A	Suction/Delivery Valve Seat	6	
15	1210 0048	A-D	O-Ring	6	Ø2,62x20,54
20	1241 0075	B	Packing	3	Ø22
21	0009 0282	B	Packing Retainer	3	Ø22
22	1241 0076	B	Packing	3	Ø22
23	0009 0283	B	Packing Retainer	3	Ø22
36	0600 0062	C	Special Bolt	3	
37	2811 0123	C	Washer	3	Ø12x20x1,5
38	0202 0043	C	Ceramic Bushing	3	Ø22
39	2812 0083	C	Washer	3	
40	1210 0170	C-D	O-Ring	3	Ø1,78x10,82
41	0009 0225	C-D	Anti-Extr. Ring	3	
42	2409 0111		Piston	3	
52	0001 0498		NON-Throughshaft	1	8035 S
	0001 0497		NON-Throughshaft	1	9030 S

### TW Series Repair Kits

**Kit A**

**TW  
Check Valve  
Kit**

P/N:  
5025.0020.00

N°	Cod.	Qty
9	0009 0290	6
10	1210 0048	6
11	1205 0038	6
12	1802 0244	6
13	3604 0032	6
14	3009 0145	6
15	1210 0048	6

**Kit B**

**TW  
Water Seal Kit**

P/N:  
5019.0646.00

N°	Cod.	Qty
20	1241 0075	3
22	1241 0076	3
24	1210 0547	3

**Kit C**

**TW  
Piston Kit**

P/N:  
2409.0114.00

N°	Cod.	Qty
36	0600 0062	3
37	2811 0123	3
38	0202 0043	3
39	2812 0083	3
40	1210 0170	3
41	0009 0225	3

**Kit D**

**TW  
Oil Seal Kit**

P/N:  
5019.0644.00

N°	Cod.	Qty
9	0009 0290	6
10	1210 0048	6
15	1210 0048	6
24	1210 0547	3
25	0019 0116	3
32	1210 0448	1
40	1210 0170	3
41	0009 0225	3
45	1210 0369	1
48	1210 0048	1
50	1210 0441	1
55	1210 0448	1
58	0019 0032	1

**Buy**

**Buy**

**Buy**

**Buy**